



Super Low-Light Universal HD over Coax cameras

DWC-PTZ220XW



WHAT'S IN THE BOX

Quick setup guide		1	Hex Allan wrench		1
Mounting template		1	2 pin - 5 pin screw-type connectors		1 set
Mounting bracket		1	Mounting screws (PH6 x 35), plastic anchors, O-Ring - 4EA		1 set

OPTIONAL ACCESSORIES FOR THE DWC-PTZ220XW

Wall mount bracket: DWC-P220WMW Ceiling mount bracket: DWC-P220CMW

Corner and pole mount bracket: DWC-P336CNMW (must be purchased with DWC-P220WMW)

NOTE: Mounting accessories are required and sold separately.

NOTE: Download all your support materials and tools in one place

- Go to: <http://www.digital-watchdog.com/resources>
- Search your product by entering the part number in the 'Search by Product' search bar. Results for applicable part numbers will populate automatically based on the part number you enter.
- Click 'Search'. All supported materials, including manuals and quick start guide (QSGs) will appear in the results.



Attention: This document is intended to serve as a quick reference for the initial setup. It is recommended that the user read the entire instruction manual for complete and proper installation and usage.

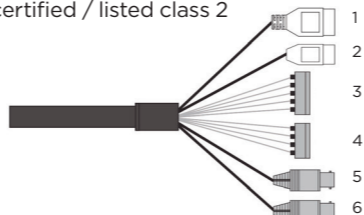
STEP 1 - PREPARE TO MOUNT THE CAMERA

- The mounting surface must withstand five times the camera weight.
- Do not let the cables get caught in improper places or the electric line cover can be damaged. This may cause a short or fire.
- Using the camera or mounting template, mark and drill the necessary mounting holes in the mounting surface.

STEP 2 - CABLING

Connect all external devices to the camera. Refer to the table below for more information.

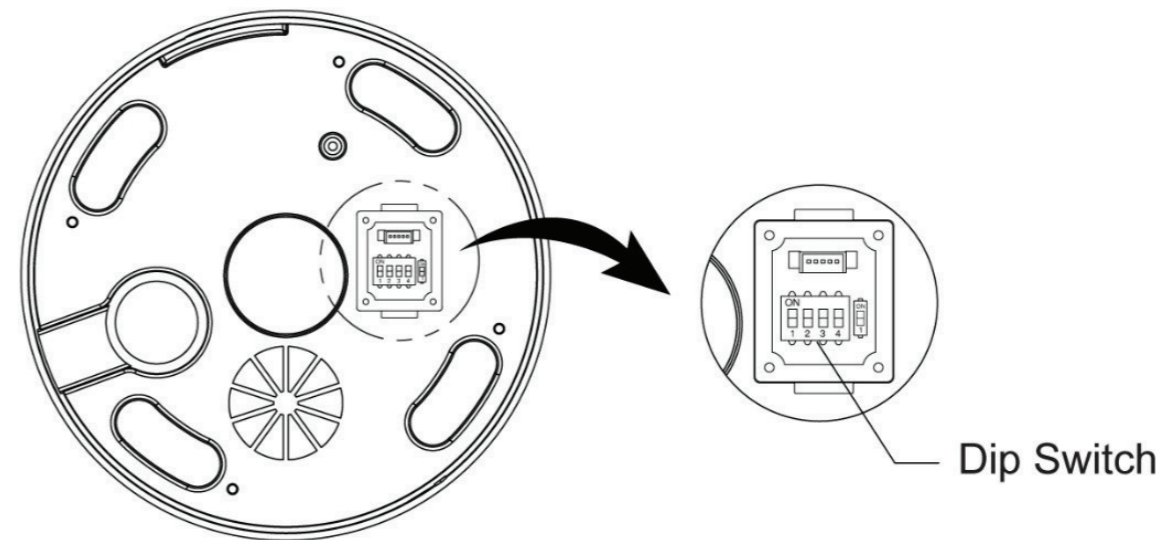
- Power supply: 12W @ 12VDC/24VAC. Use satisfy clause 2.5 of IEC60950-1/UL60950-1 or certified / listed class 2 power source only.
- RS-485 (optional).
- 4 alarm inputs
- 2 alarm outputs (5V TTL)
- HD-TVI/HD-Analog output (BNC)
- CVBS analog output (BNC, 720x480)



No	Connector	Description
1	3-pin terminal block	Camera power
2	2-pin terminal block	TX+: RS-485+ (A) TX-: RS-485- (B)
3	5-pin terminal block	A1: Alarm input 1 A2: Alarm input 2 A3: Alarm input 3 A4: Alarm input 4 GND
4	4-pin terminal block	AO1: Alarm output 1 GND AO2: Alarm output 2 GND
5	BNC jack	HD-TVI / HD-Analog output
6	BNC jack	CVBS output

DIP SWITCH SETTINGS FOR SIGNAL AND PROTOCOL

NOTE: The default DIP switch option is all OFF (HD-TVI output/TVI-C).



- Control the camera's video signal and video type using D1 and D2, respectively, in the S1 switch.

S1-D1	Video signal	S1-D2	Video type
OFF	HD-TVI output	OFF	NTSC
ON	HD-Analog output	ON	PAL



- Control the CVBS output using D1 in the S2 switch.

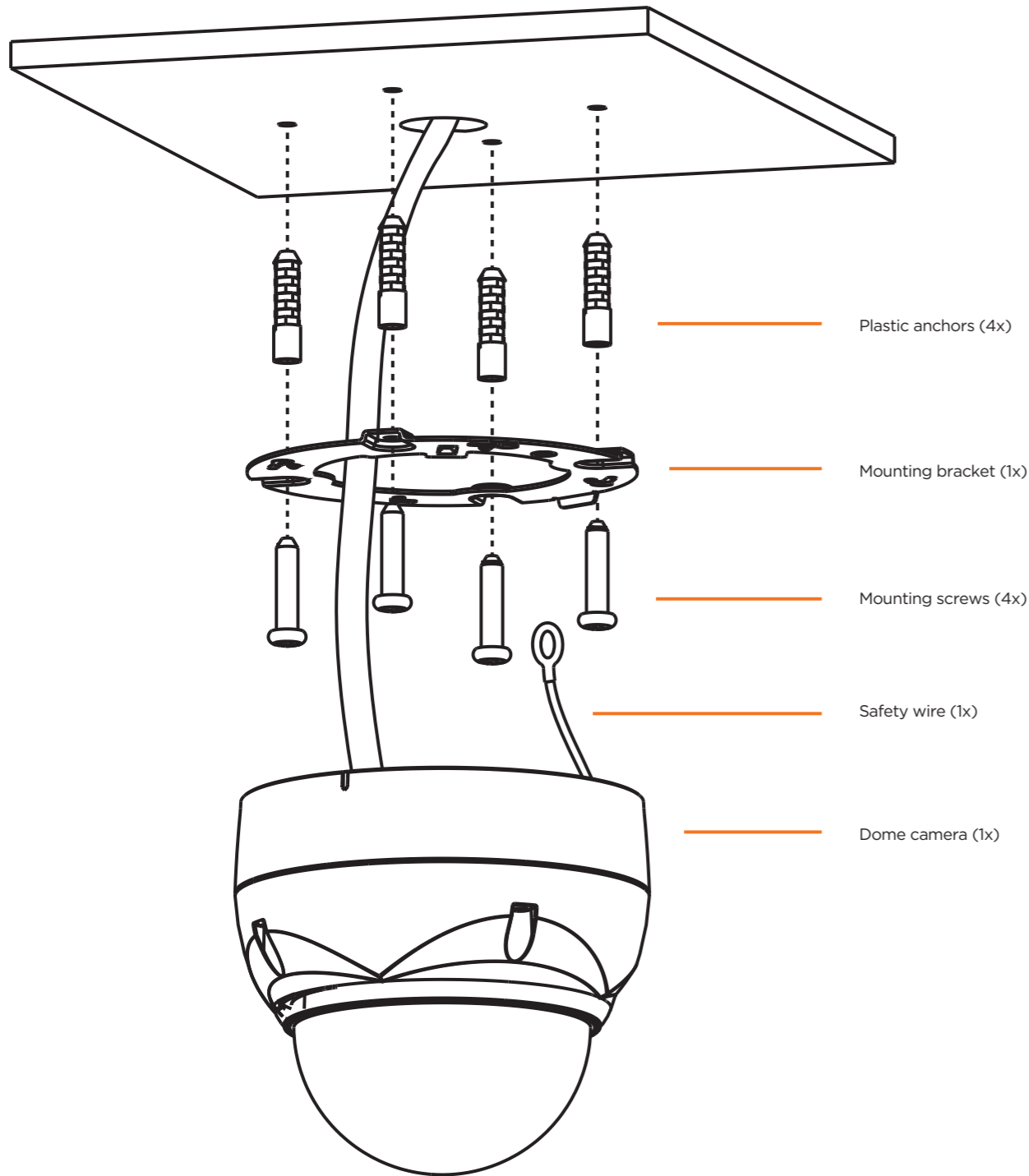
S2-D1	WDR type	WDR Off/on	CVBS output	HD output
OFF	True WDR	OFF	Enabled	Enabled
		ON	Disabled	Enabled
ON	Digital WDR	OFF	Enabled	Enabled
		ON	Enabled	Enabled



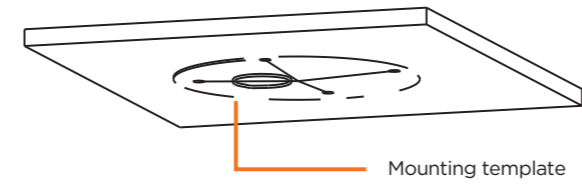
- Set the coaxitron protocols using D3 and D4 in the S1 switch.

S1-D3	S1-D4	HD-TVI output	HD-Analog output
OFF	OFF	TVI-C	A_CP-PTZ
ON	OFF	Pelco-C	Reserved
OFF	ON	Reserved	Reserved
ON	ON	Reserved	Reserved

STEP 3 - MOUNTING THE CAMERA

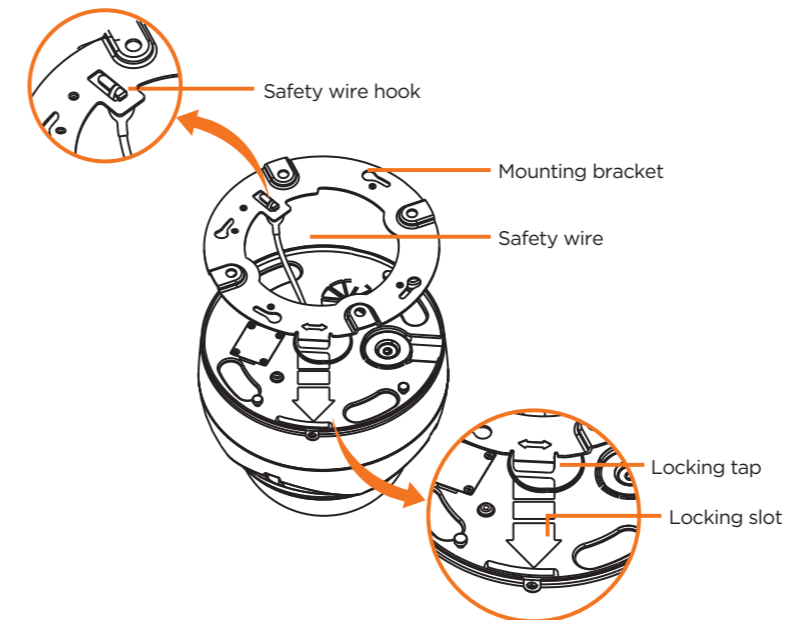


1. Using the camera or mounting template, mark and drill the necessary mounting holes in the mounting surface.



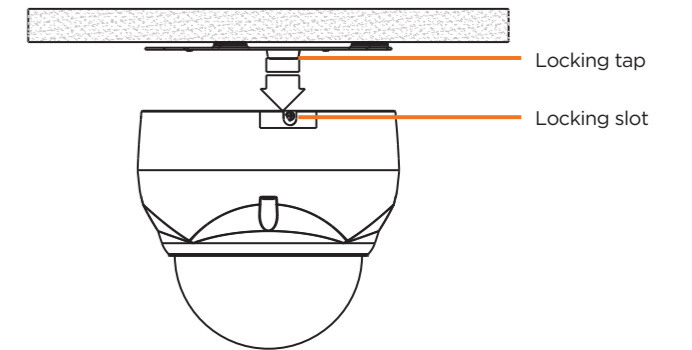
2. Fix the mounting bracket to the mounting surface using the included anchors and screws.

3. Connect the camera's safety wire to the mounting bracket.



4. Pass wires through and make all necessary connections. See STEP 2 for more information.

5. Mount the camera to the mounting bracket by twisting the camera clockwise to lock into position.



6. Fix the locking screw to secure the camera to the bracket and complete the installation.

